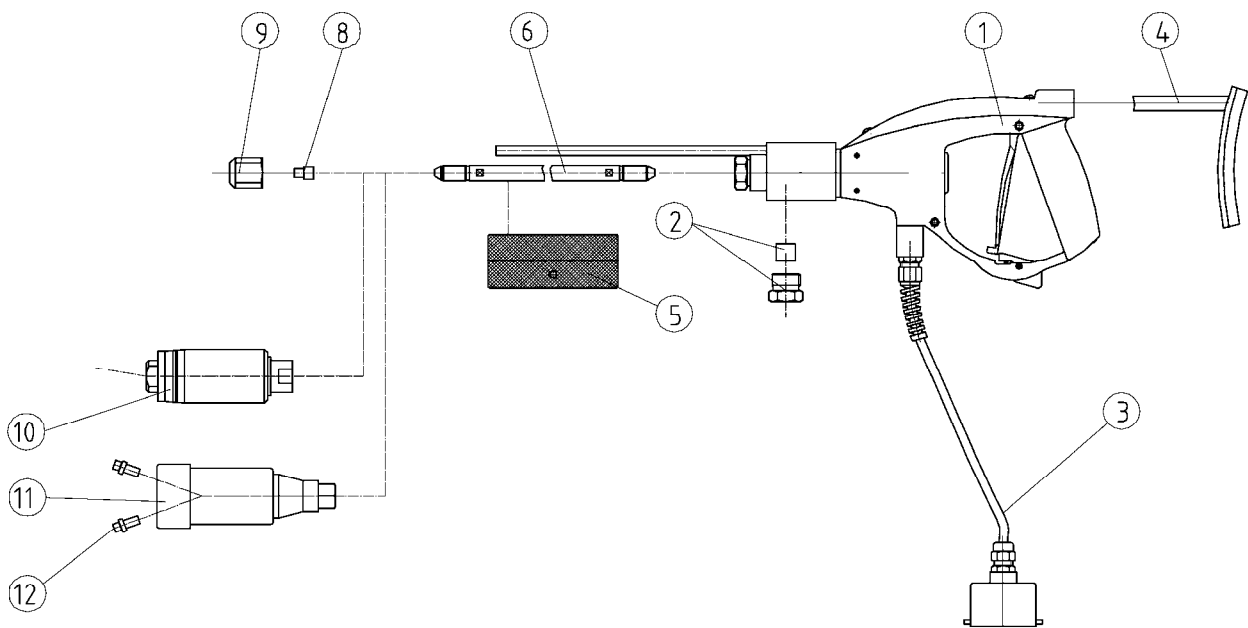


## Accessories and Spare Parts

Z 10-2 e

### Dump Gun 2500

01.01.2009



Item	Description	Part No.
1	Gun handle	see page Z 10-1 e
2	Pressure ring M 14x1.5 LH Pressure screw M 26x1.5	7006365 7006364
3	Initiator for remote control	7017928
4	Shoulder support	7009215
5	Handle	7011950
6	Gun tube M 14x1.5 LH 750 mm 500 mm 1000 mm	7006963 7006964 7006382
8	Insert nozzle Type 0952	see page Z45-1 e
9	Cap nut for insert nozzle	1051600
10	Orbital nozzle KOD 2500	see page Z40-1/2/3/4 e
11	Rotating nozzle PRD 3000	7006429
12	Straight jet threaded nozzle Type 0965 - M 10	see page Z 55-1 e