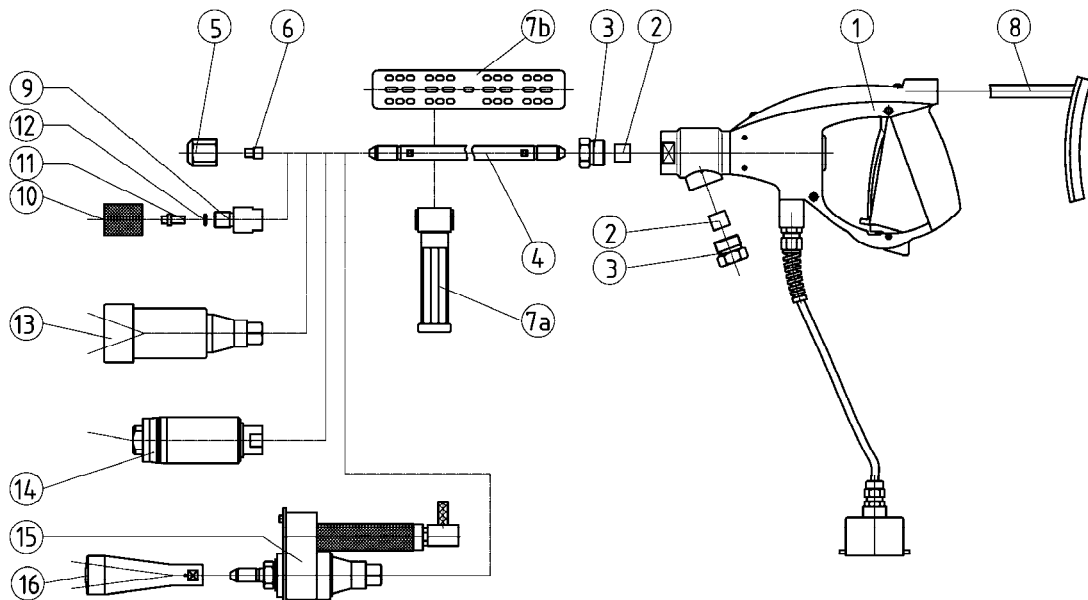


Accessories and Spare Parts

KSP 3000

Z 5-2 e

01.01.2009



Item	Description	Part No.
	Spray gun KSP 3000 Component group includes: items 1 - 4c + 5	7018125
1	Gun handle with connector block	7018126
2	Pressure ring M 14 x 1.5 LH	7006365
3	Pressure screw M 26 x 1.5	7006364
4	Gun tube M 14 x 1,5 LH	
a.	250 mm	7010480
b.	500 mm	7006964
c.	750 mm	7006963
d.	1000 mm	7006382
e.	1500 mm	7016913
f.	2000 mm	7006996
g.	2500 mm	7014917
h.	3000 mm	7014918
i.	4000 mm	7014919
5	Nozzle holder M 14 x 1,5 LH	7004818
6	Straight jet insert nozzles Type 0952	see page Z45-1 e

Item	Description	Part No.
7a	Additional handle	7001071
7b	Half shell handle	7009921
8	Shoulder support	7009215
9	Adaptor for flat jet nozzle 1500 bar	7005562
10	Cap nut for adaptor	7005563
11	Flat jet insert nozzle 1500 bar	see page Z41-2 e
12	O-Ring	1060382
13	Rotating nozzle PRD 3000	7006429 see page Z 20-1 e
14	Orbital nozzle Type KOD	see page Z40-1/2/3/4 e
15	Pneumatically driven rotating nozzle PRD 3000 Air	7006445 see page Z30-1 e
16	Various nozzle heads for PRD 3000 Air	see page Z 35-1 e