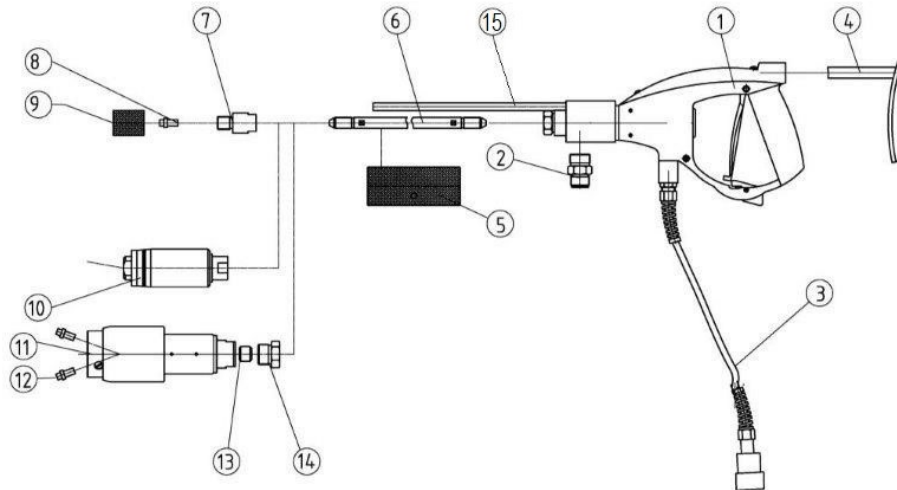


Accessories and Spare Parts

Z 9-2e

Dump Gun 1500 / 3000

23.03.2021



tem	Description	Part No.
1	Gun handle 1500 bar Gun handle 3000 bar	7032720 7032414
2	a. Hose connection adapter M 22x1.5 DKO b. Hose connection adapter M 24x1.5 DKO c. Pressure ring M 14x1.5 LH + Pressure screw M 26x1.5	7013332 7009213 7006365 + 7006364
3	Initiator with 2m cable for remote control	7017928
4	Shoulder support	7009215
5	Handle	7011949
6	Gun tube	750 mm 7006963 500 mm 7006964 1000 mm 7006382
7	Adapter for nozzle insert	7009549
8	Insert nozzle	see page Z41-1 e + Z41-2 e
9	Cap nut for insert nozzle	1051600
10	Orbital nozzle KOD 1500 Orbital nozzle KOD 2500	see page Z40-1/2/3/4 e
11	Rotating nozzle PRD 3500 Nozzle heads DK1 – DK4 for PRD 3500 Nozzle Ø selection table for DK1 – DK4	see page Z 20-1 e see page Z 20-2 e see page Z 20-3 e – Z 20-6 e
12	Straight jet threaded nozzle	see page Z55-1 e
13	Pressure ring M 14x1.5 LH	7006365
14	Pressure screw M 26x1.5	7006364
15	Bypass pipe	7011945