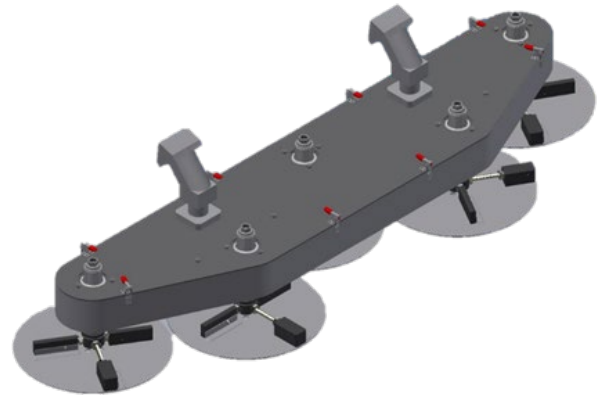


## Rotary Transmission FR 3000

Z65-1

01.12.2022

Seite 1/1



### Technical Data

- Part Nr.: 7036152
- Max. Operating Pressure: 3000 bar
- Max. Flow Volume: 100 l/min
- Nominal Width: 5 mm
- Connection Thread Inlet: M26 x 1,5 Autoclave
- Working Width: 500 mm
- Length: 350 mm
- Weight: ca. 30 kg
- Nozzle Inserts: 6, 16 or 22 Nozzle Inserts type 964  
(All Nozzle Inserts to have same size)
- Pulley for Drive: V-pulley Poly V, 12 grooves, 75 cm

#### Rotational Drive:

- Speed: 0 - 2000 RPM

#### Hydraulic Engine:

- Gulp Displacement: 8 - 10 cm<sup>3</sup> / U (relating to torque needed)
- Pressure: 300 - 400 bar
- Starting Torque: 0,10 – 0,15 Nm/bar

### Application:

Our KAMAT rotary transmission is suitable for integration into any surface cleaner, examples being, runway cleaning, removal of rubber and all other cleaning operations that require nozzle to be integrated into vehicles. Also, surfaces can be roughened up. The choice of nozzles, R.P.M. and advance are the impact of the waterjet on the surface. Our rotary transmissions can be used by them self or as an arrangement of multiple transmissions. The nozzles and pumps are fitted according to the task they are needed for.

#### KAMAT GmbH & Co. KG

Salinger Feld 10, 58454 Witten, Germany,  
Fon +49 (0) 23 02 / 89 03 - 0, Fax +49 (0) 23 02 / 80 19 17, info@KAMAT.de, www.KAMAT.de  
Technische Änderungen vorbehalten / Technical data subject to change without notice

