

## ROTATING NOZZLE PRD 3500 AIR

### Pneumatically driven rotating nozzles

Z 30-1e

28.02.2023

Page 1/3

Pneumatic drive with air motor  
(without nozzle head)



### Technical Data

- Part No.: 7031996
- Max. working pressure: 3500 bar
- Max. flow rate: 50 l/min
- Hose connection: M26x1.5 IG
- Nozzle head connection: M14x1.5 LH male
- Length: 217 mm
- Weight: approx. 2.5 kg
- Usable nozzle heads: see page Z 35-1e

#### Pneumatic Drive / Air motor:

- Speed rpm: 0 - 1800 rpm
- Air requirement: 5.0 l/s (filtered & oiled air)
- Air working pressure: 6.3 bar
- Power: 120W

### Accessories

### Part No.

- Pressure screw M26x1.5 7006364
- Pressure ring M14x1.5 LH male 7006365
- Pressure ring 9/16"-18UNF LH 7006966

Usable nozzle heads see page Z 35-1e

### Applications

- Cleaning of surfaces,
- cleaning and washing of concrete and stones,
- removal of concrete and laying bare reinforcements
- removal of paints and coatings,
- removal of graffiti,
- etc.



For hand-held operation of a spray gun the nozzle diameter must be selected to ensure that the reaction force in the longitudinal axis when used at the max. operating pressure does not exceed 250 N. If the reaction force is in excess of 150 N the gun must be equipped with a support, in compliance with the European Norm EN 1829

#### **KAMAT GmbH & Co. KG**

Salinger Feld 10, 58454 Witten, Germany,  
Fon +49 (0) 23 02 / 89 03 - 0, Fax +49 (0) 23 02 / 80 19 17, info@KAMAT.de, www.KAMAT.de  
Technische Änderungen vorbehalten / Technical data subject to change without notice

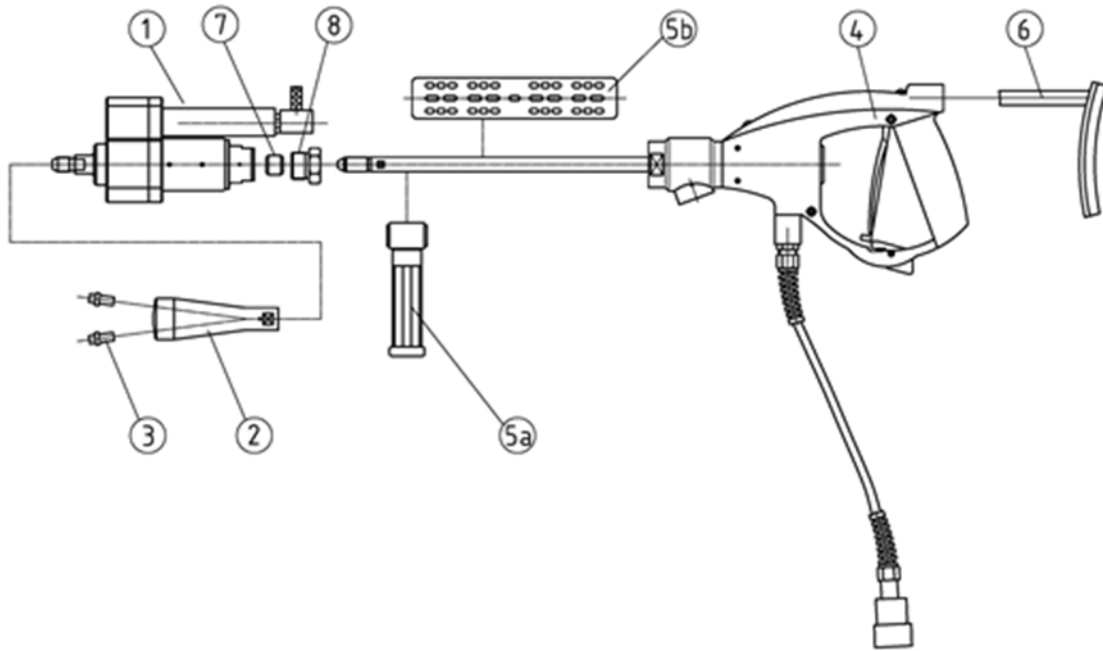


# ROTATING NOZZLE PRD 3500 AIR

## Pneumatically driven rotating nozzles

Z 30-1e  
28.02.2023  
Page 2/3

### Accessories and spare parts

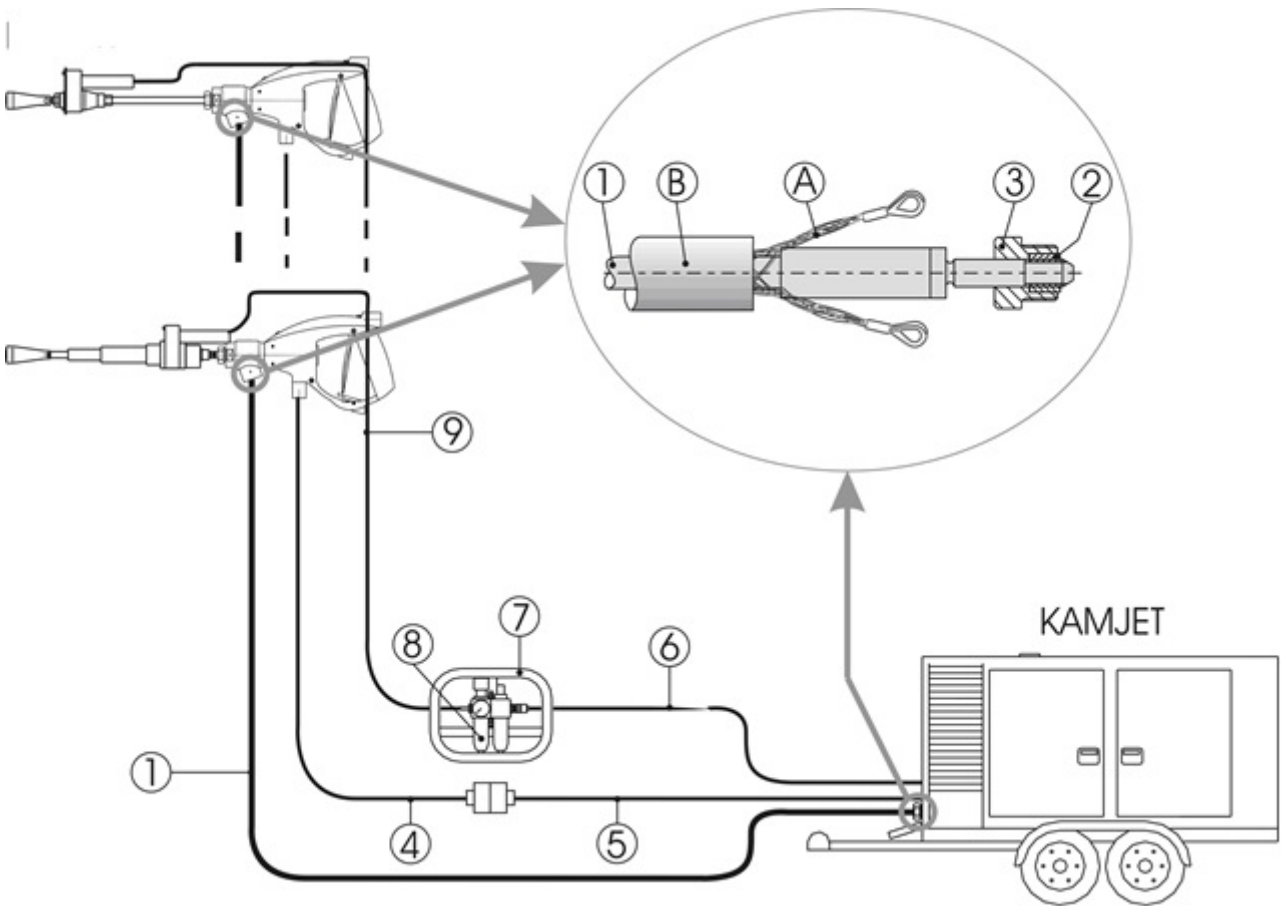


Item	Description	Part-No.
1	PRD3500 Air Fittings: M14x1.5 LH female (for gun tube) M14x1.5 LH male (for nozzle head)	7031996
2	Various nozzle heads	see page Z 35-1e
3	Screwed nozzles	see page Z 55-1e see page Z 55-3e
4	High pressure spray gun KSP 3000 Fitting on gun tube: M14x1.5 LH male	see page Z 5-1e
5a	Additional handle	7001071
5b	Half shell handle	7009921
6	Shoulder support	7009215
7	available pressure ring M14x1.5 LH 9/16"-18UNF LH	7006365 7006966
8	Pressure screw M26x1.5	7006364

**ROTATING NOZZLE PRD 3500 AIR**  
**Pneumatically driven rotating nozzles**

Z 30-1e  
 28.02.2023  
 Page 3/3

**Connection arrangements for air driven tools**



Item	Description	Part No.
1	HP-Hose line	see page Z 60-3e
2	Pressure ring M14x1.5 LH	7006365
3	Pressure screw M26x1.5	7006364
4	Remote control cable on cable reel e.g. 80 m length	7017922

Item	Description	Part No.
6	Air hose line ID 9, 20 m	7006716
7	Maintenance unit for air tools incl. pressure reducer and oiler	7006629
8	Special oil for air motor	7006965
9	Air hose line ID 6, 5 m	7006715